



## Main

|                                    |   |
|------------------------------------|---|
| Accessory / separate part category | Cabling accessories   |
| Accessory / separate part type     | Connector   |
| Electrical connection              | Elbowed female connector M18, 4 pins  |
| Collar material                    | Plastic   |
| Status LED                         | Without   |
| Cable connection                   | Screw terminal / wire size <math>< 1.5 \text{ mm}^2</math> / clamping capacity 5...8 mm |

## Complementary

|                                |                       |
|--------------------------------|-----------------------|
| Cable gland type               | Pg 9                  |
| Cable connector fixing         | Screw-on              |
| [Ue] rated operational voltage | 250 V AC              |
| [In] rated current             | 16 A                  |
| Enclosure material             | Plastic               |
| Minimum insulating resistance  | 1000 G $\Omega$       |
| Contact resistance             | 10000 $\mu\text{Ohm}$ |
| Net weight                     | 0.035 kg              |

## Environment

|                                       |             |
|---------------------------------------|-------------|
| IP degree of protection               | IP65        |
| Ambient air temperature for operation | -40...85 °C |

## Packing Units

|                              |         |
|------------------------------|---------|
| Unit Type of Package 1       | PCE     |
| Number of Units in Package 1 | 1       |
| Package 1 Weight             | 28 g    |
| Package 1 Height             | 2 cm    |
| Package 1 width              | 8 cm    |
| Package 1 Length             | 8 cm    |
| Package 2 Weight             | 1.73 kg |

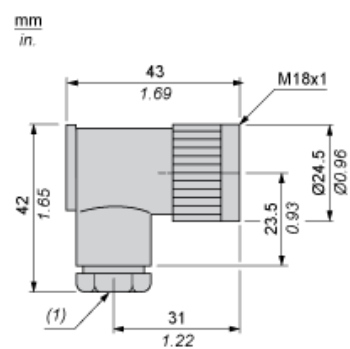
## Offer Sustainability

|                            |  |
|----------------------------|--|
| REACH Regulation           | <a href="#">REACH Declaration</a>  |
| EU RoHS Directive          | Pro-active compliance (Product out of EU RoHS legal scope) <a href="#">EU RoHS Declaration</a> |
| Mercury free               | Yes  |
| RoHS exemption information | <a href="#">Yes</a>  |

## Contractual warranty

|          |           |
|----------|-----------|
| Warranty | 18 months |
|----------|-----------|

Dimensions



(1) Pg 9 cable gland

---

## Connections and Schemes

---

